

# Bobcat® S70 Skid-Steer Loader

## Specifications

### Performance **S70**

Rated Operating Capacity	700 lb. (318 kg) <sup>1</sup>
Tipping Load	1415 lb. (642 kg)
Hydraulic Pump Capacity	9.8 gpm (37.8 L/min.)
Travel Speed	6.1 mph (9.8 km/hr.)
Operating Weight	2845 lb. (1291 kg)

### Dimensions

Length (with bucket)	100.8 in. (2560 mm)
Width (with bucket)	36.0 in. (914 mm)
Height	71.4 in. (1814 mm)
Height to Bucket Pin	94.5 in. (2399 mm)

### Engine

Model	D1005-E
Fuel/Cooling	Diesel/Liquid
Cylinders	3
SAE HP/Displacement	23.5/61.1 cu. in. (1.0 L)
Fuel Tank Capacity	6.5 gal. (24.6 L)

### Operation

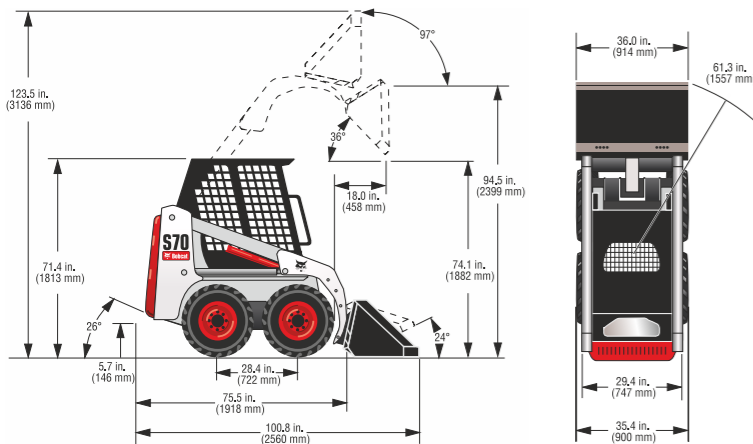
Steering and Drive	Forward, reverse, travel speed and steering controlled by two hand levers.
Hydraulics	Raise/lower lift arms and dump/rollback bucket controlled by two foot pedals.
Transmission	Hydrostatic, four-wheel drive.

### Standard Features

5.70-12 Standard Tires	Meters/Gauges/Warning Lights
Bob-Tach™	Operator Cab
Bobcat Interlock Control System (BICS™)	Parking Brake
Front & Rear Lights	Rear Window
Front Auxiliary Hydraulics	Seat Bar
High Back	Seat Belt
Cushion Seat	Spark Arresting System
Lift Arm Support	

### Options/Accessories

Attachment Control Kit	Side Windows Kit
Backup Alarm	Single-Point Lift Kit
Bobcat Heavy-Duty Tires	Skid-Steer Loader Training Kit
Cab Enclosure	Sound Cab (reduces noise)
Cab Heater	Special Applications Kit <sup>3</sup>
Catalytic Purifier	Strobe/Rotating Beacon
Horn	Lights
Hydraulic Bucket Positioning <sup>2</sup>	Suspension Seat
Keyless Start Kit	Top Window
Service Safety Training Course	Turf Tires



NOTE — Where applicable, dimensions are in accordance with Society of Automotive Engineers (SAE) and ISO standards. Specifications and design are subject to change without notice. Pictures of Bobcat loaders may show other than standard equipment. All dimensions are given for loader equipped with standard tires. All dimensions are shown in inches. Respective metric dimensions are enclosed by parentheses. Bobcat Company complies with the requirements of ISO 9001 as registered with BSI.

## Bobcat S70... the loader for tough jobs in tight spots.

The compact Bobcat S70 skid-steer loader is small enough to get in the tight spots, yet tough enough to get you out.

This agile little workhorse is only 6 feet tall and 3 feet wide — the ideal size for scooting through narrow doorways, corridors, aisles, alleys and gates, and for working under low ceilings.

It's the perfect loader whenever the job is too big for a shovel or the space is too small for a larger machine — in backyards, barns, construction sites and demolition areas.

And versatile? You bet. With more than 20 Bobcat attachments to choose from, the S70 is a multi-attachment carrier that's ready to take on just about any job.

Plus — you get to do your work in the comfort and safety of the S70's operator-friendly, FOPS/ROPS-approved cab (Falling Object Protective Structure and Roll-Over Protective Structure). You'll also appreciate the comfortable high-back seat, low noise and easy entry and exit.

The S70 gives you 700 pounds of rated operating capacity and a rugged 23.5 horsepower liquid-cooled diesel engine that powers the hydrostatic 4-wheel drive.

Like all Bobcat loaders, the S70 allows quick, easy access to hydrostatic, hydraulic and engine systems, thanks to the swing-out tailgate and tip-up cab.

All this, and an excellent warranty, too. Check out the compact S70 skid-steer loader at your Bobcat dealer's showroom. It's the loader that's small in size, small in price, but big in value, comfort, performance and versatility!

**700 LB.**  
Rated Operating Capacity

**9.8 GPM**  
Hydraulic Flow

**23.5 HP**  
Liquid-Cooled Diesel Engine

<sup>1</sup>Operating capacity rated with standard digging bucket according to SAE standard J818. OPERATING CAPACITY TO EQUAL NO MORE THAN ONE HALF THE TIPPING LOAD.

<sup>2</sup>Bucket positioning helps operator keep the same tilt of the load during lifting.

<sup>3</sup>Includes polycarbonate front door, top and rear windows.

<sup>4</sup>Special application kit (see #3) must be used.

- A - 5.70 x 12 Tires - 35.4 in. (900 mm)  
23 x 8.50 - 12 Tires - 43.3 in. (1100 mm)
- B - 5.70 x 12 Tires - 29.4 in. (747 mm)  
23 x 8.50 - 12 Tires - 34.8 in. (884 mm)
- C - 36 in. Bucket Width - 36.0 in. (914 mm)  
44 in. Bucket Width - 44 in. (1118 mm)

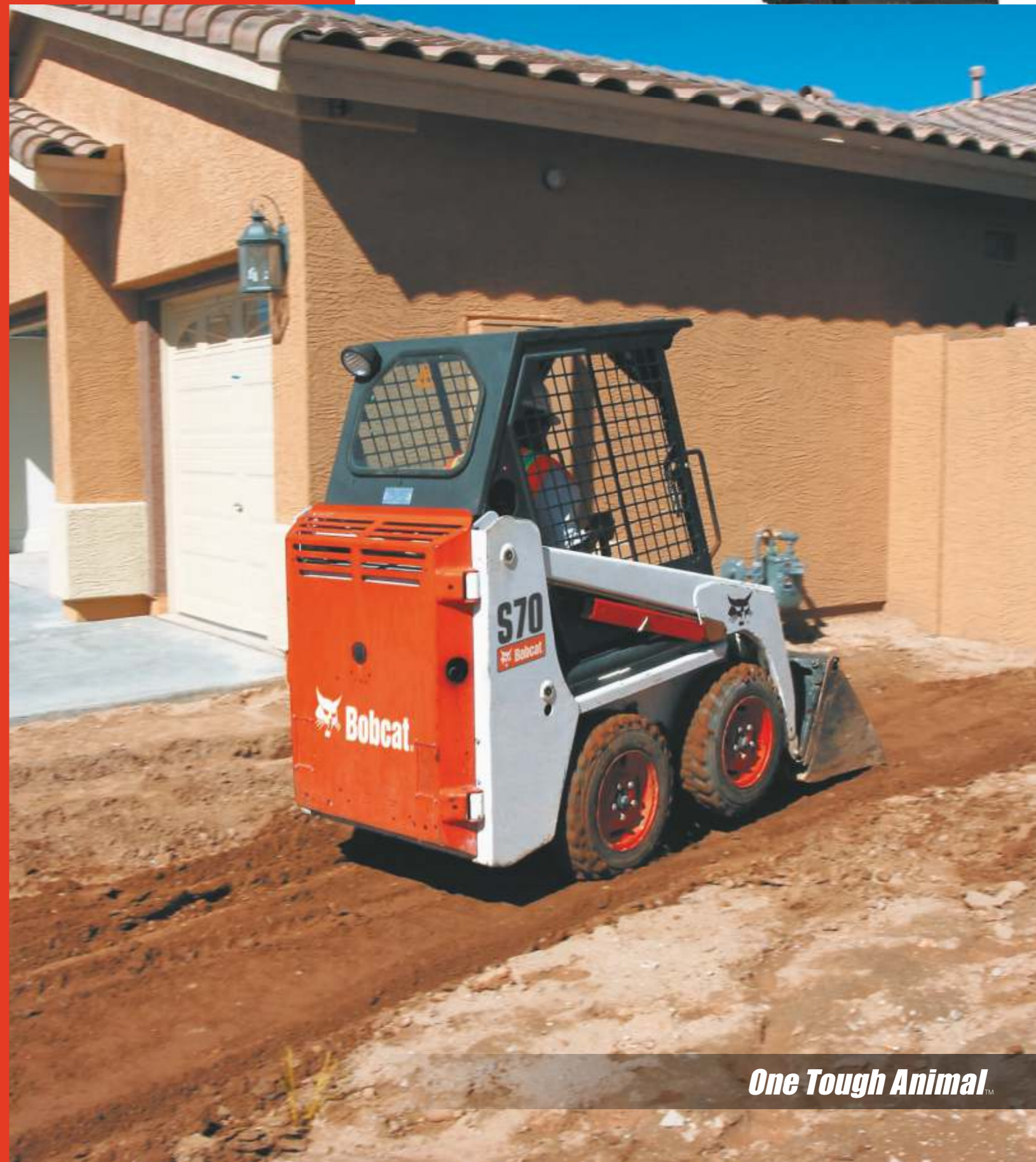
Specifications and design are subject to change without notice. Pictures of Bobcat products may show other than standard equipment.

### Bobcat Attachments for this model:

- Angle Broom
- Auger
- Backhoe
- Boring Unit
- Breaker\*
- Bucket
- Combination Bucket
- Digger
- Dumping Hopper
- Grapple, Industrial
- Grapple, Root
- Grapple, Utility (for use with utility fork or bucket)
- Landplane
- Mini Scraper
- Pallet Fork
- Scraper
- Snowblower\*
- Snow Blade
- Snow V-Blade\*
- Soil Conditioner
- Stump Grinder
- Sweeper
- Tiller
- Tree Fork
- Trencher
- Utility Blade
- Utility Fork
- Utility Frame
- V-Blade
- Vibratory Plow



## S70 Skid-Steer Loader



Scan to visit our website



Toll Free No. 1800 1032 869



Doosan Bobcat India

HTC Towers, 6TH Floor, No. 41, GST Road, Guindy, Chennai - 600 032.

+91 96000 04852 bobcatindia@doosan.com

www.bobcat.com

\*Attachment Control Kit required.

**One Tough Animal™**

# Bobcat S70...the biggest little loader on the market!

The compact Bobcat® S70 skid-steer loader is the versatile attachment carrier that out-works, out-digs everything in its class.

- 700 lb. Rated Operating Capacity
- 9.8 GPM Hydraulic Flow
- 23.5 hp Liquid-Cooled Diesel Engine

## Big performance in a small package!

The S70 loader makes compactness a virtue. It goes where bigger machines can't go. It's high in value. It's easily transportable. Yet it's also dependable, agile, productive, labor-saving, operator-friendly — and is equipped with a cab that offers many of the comforts of a much larger machine!

But most of all, the S70 is versatile. With a choice of over 20 hard-working Bobcat attachments, you and your S70 can tackle just about any job with ease and confidence.

## Hook Up to These Job-Matched Bobcat Attachments



### Angle Broom

Sweeps snow, dirt and debris from driveways, loading docks and warehouse floors.



### Auger

Drills holes with speed and plumb-line accuracy.



### Snowblower

Powerful snow mover. Discharge chute is controlled from operator's seat.



### Mini Scraper

Cleans ice and snow off parking lots; scrapes floors; removes tile flooring.



### Backhoe

Converts loader into a digging machine. Digging depths up to 5.5 ft.



### Breaker

Breaks up concrete and asphalt quickly and effortlessly.



### Tiller

Digs and loosens soil; mixes compost and other materials into existing soil.



### Trencher

Handles a wide range of jobs, including trenching close to buildings.



### Buckets

There's a bucket for every job, from digging to dumping.



### Dumping Hopper

Loads quickly and saves time by hauling more material in fewer trips to the dumpsite.



### Utility Blade

Use it as both a snow blade or dozer blade. Curved moldboard angles 30 degrees.



### Utility Fork

Grabs bulky, hard-to-handle material: loose hay, bedding, manure and bundled items.



### Landplane

Removes large clods and rocks, breaks up hard ground, sorts debris from soil.



### Pallet Fork

Handles palletized material on farms, construction jobs and industrial sites.



### Utility Grapple

Handles loose hay, straw, manure, bales and hard-to-grasp material. Use it with bucket or utility fork.



Standard BOB-TACH™ Mounting System Assures Fast, Secure Attachment Changes!



Turf tires are also available.



### Exclusive Bob-Tach™ System.

For fast, secure attachment changes. Bob-Tach frame (A) moves into attachment flange (B) handle (C) pushes down easily, pressing wedge (D) through frame and attachment hole for solid connection.

### Adjustment Not Needed.

The Bobcat "bow-tie" drive chain design uses pre-stressed, heavy-duty drive chains in two short continuous loops on each side. That means no periodic, time consuming adjustments, plus long life even in the most rugged conditions.



### Bearing Grease? Forget It!

Self-lubricating axle bearings never need greasing. The unique hub design offers great seal protection.

### Training Resources.

Training kits, available through your Bobcat dealer's parts department, let you train current and new operators and service technicians on the latest safety operation and servicing functions for Bobcat skid-steer loaders. A Spanish language version is also available. Check the Bobcat website for more information: [www.bobcat.com](http://www.bobcat.com)



### Serviceability.

Bobcat skid-steer loaders feature easy servicing and quick access to components should repairs be needed. Service technicians can get to hydraulic/hydrostatic components quickly by unbolting two nuts and lifting the cab back. The tailgate swings out — allowing fast, easy access to engine components.

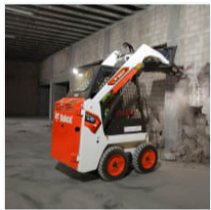


### Belt Drive Advantage.

The Bobcat belt drive advantage means Bobcat loader engines can be run slower, resulting in a quieter machine that lasts longer and uses less fuel. This system also maximizes pump efficiency and minimizes steering lever effort. Ask about the 3-year belt warranty!



# S70 Skid-Steer Loader



The Bobcat® S70 skid-steer loader is small enough to get in the tight spots, yet tough enough to get you out. This agile little workhorse is only 6 ft. tall and 3 ft. wide — the ideal size for quickly moving through narrow doorways, corridors, aisles, alleys and gates, and for working under low ceilings. It's the perfect skid steer loader whenever the job is too big for a shovel or the space is too small for a larger machine.

[Request a Dealer](#)

[Find a Dealer](#)

[Download Leaflet](#)

## S70 Features

[Collapse all](#) ^

### ^ Uptime Protection <sup>2</sup>

#### ^ Choice of tires

Bobcat offers extended choice of factory installed tires, ensuring they can be more closely matched to your job right from the start.

#### ^ Uptime Protection

The Bobcat reputation for reliable equipment and maximum uptime protects your own reputation for timely, productive work. These better-built loaders rely on a range of features that help minimise maintenance and protect your machine: machine shutdown protection, self-diagnostics, battery run-down protection, cold weather protection and other features. What's more, Bobcat skid-steer loaders feature the industry's only maintenance-free chaincase, which further reduces maintenance and gives you added peace of mind.

### ^ Performance <sup>2</sup>

#### ^ Overall Loader Performance Advantages

Bobcat® loaders will meet your high expectations for performance, every time you use them. The design, balance and weight distribution have been perfected to deliver more usable horsepower, powerful breakout forces and faster cycle times. With a Bobcat loader you can work quicker, lift more and outperform your competition.

#### ▲ Effective Weight Balance

Bobcats are better balanced! When not carrying a load, your Bobcat® skid-steer loader has a weight distribution of 70% in the rear and 30% in the front. This is the optimum weight distribution, giving you balanced, easy turning and skidding for ideal performance. What's more, it minimises fuel consumption and power requirements, while maximising drive train and tyre life, leading to less wear and tear compared to "flat-footed" machines sold by some other manufacturers.

#### ▲ Attachment Versatility <sup>1</sup>

##### ▲ Do More

Bobcat attachments help you do so much more. The versatility of our attachments and the support from the Bobcat dealer network is an unbeatable combination. Quick couplers give you clean, rapid attachment changes every time, and the attachment control kit simplifies operation. On selected attachments, high-flow hydraulics provide a big power boost.

## S70 Specifications

Show more

## Similar Machines



### S450 Skid-Steer Loader

This Bobcat® S450 is our most versatile skid-steer loader - the perfect machine for all your loading, carrying and cleaning jobs.

Horsepower	48.9 hp
Rated Operating Capacity (ISO)	608 kg
Operating Weight	2365 kg

### S590 Skid-Steer Loader

The Bobcat® S590 Skid-Steer Loader is our highest-lifting and most powerful 500 model.

Horsepower	69 hp
Rated Operating Capacity (ISO)	907 kg
Operating Weight	3069 kg

### S70 Skid-Steer Lo

The Bobcat® S70 Skid-spaces.

Horsepower	
Rated Operating Capacity (ISO)	
Operating Weight	



#### REGION SELECTOR

🌐 INDIA (ENGLISH)

#### EQUIPMENT

SKID-STEER LOADERS

COMPACT TRACK LOADERS

#### HELP CENTER

FREQUENTLY ASKED QUESTIONS (FAQS)

CONTACT US