



Bobcat®

New

**COMPACT EXCAVATORS
E20z**



One Tough Animal™

E20z – SPECIFICATIONS

WEIGHTS

Operating weight (ISO 6016)	2039 Kg
Ground pressure	31 Kpa

ENGINE

Make / model	Kubota / D722-E4B-BCZ-7(Tier 4)
Fuel	Diesel
Number of cylinders	3
Displacement	0.7L
Maximum power (SAE J1995)	10.4 kW(13.9 HP)
Maximum torque (SAE J1995)	43.5 Nm

PERFORMANCE

Digging force, arm (ISO 6015)	10,371 N
Digging force, long arm (ISO 6015)	9279 N
Digging force, bucket (ISO 6015)	20,835 N
Drawbar pull	23,471 N
Travel speed (low)	2.1 km/h
Travel speed (high)	4.2 km/h

HYDRAULIC SYSTEM

Pump type	Dual piston pump with gear pump
Pump capacity	41.3 L/min
Auxiliary flow	30.0 L/min
Auxiliary relief	180.0 bar

SWING SYSTEM

Boom swing (left)	80.0°
Boom swing (right)	60.0°
Swing Speed	8.4 RPM

FLUID CAPACITIES

Cooling system	3.3 L
Engine oil and filter	3.3 L
Fuel tank	19.0 L
Hydraulic system	19.0 L

STANDARD FEATURES

- TOPS/ROPS/FOPS canopy¹
- Manually expandable dozer blade from 980 to 1360 mm
- 230 mm Steel tracks
- Auxiliary hydraulics with quick couplers on boom
- Control console locks
- Horn
- Hydraulic joystick controls
- Retractable seat belt
- Standard seat
- Cupholders
- Work light
- Hydraulically retractable undercarriage from 980 mm to 1360 mm
- Engine auto shutdown
- Key ignition
- Full fuel warning alarm
- Fingertip auxiliary hydraulic control
- Auto shift Travel
- Battery Disconnect switch
- 0.05 Cum (20") GP Bucket

1. Roll Over Protective Structure (ROPS) - Meets requirements of ISO 3471. Tip Over Protective Structure (TOPS) - Meets requirements of ISO 12117. Falling Object Protective Structure (FOPS) - Meets requirements of ISO 3449.

OPTIONS

- TOPS/ROPS/FOPS cab with heater
- Travel motion alarm
- Long arm
- Suspension seat
- Auxiliary hydraulics with quick couplers on Arm
- Boom and arm load holding valve
- Mirrors kit
- Beacon kit
- Demolition option
- Rubber Track/Rubber Pad on steel Track
- Breaker
- Augur
- Hydraulic clamp
- Self levelling flail mower

Scan to visit our website

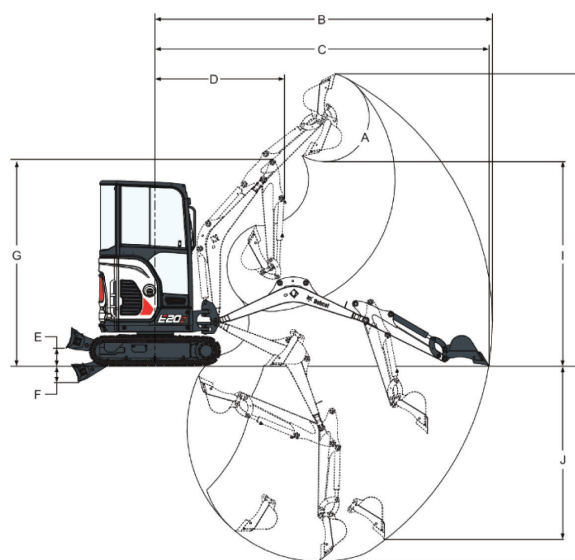


Toll Free No. 1800 1032 869



©2020 BOBCAT INDIA E20z – EN (12-20)

WORKING RANGE

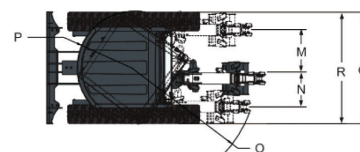
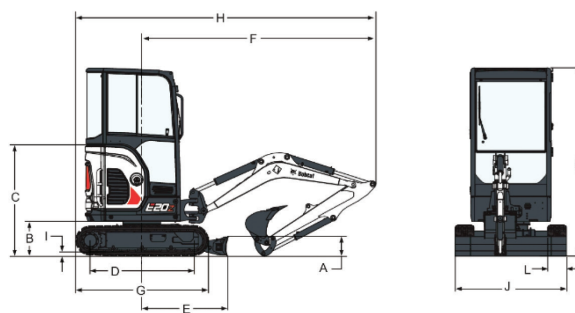


All Dimensions are in mm

	A	B	C	D	E	F
E20z	196.0°	4134	4089	1592	307	247

	G	H	I	J	K
E20z	2606	3615	2608	1906	2343

DIMENSIONS



All Dimensions are in mm

	A	B	C	D	E	F	G	H	I
E20z	235	461	1180	1258	1045	2882	1634	3695	17

	J**	K	L	M	N	O	P	Q	R
E20z	980~1360	2339	230	476	638	1190	690	1532	1370



Bobcat®

Doosan Bobcat India

HTC Towers, 6TH Floor, No. 41, GST Road, Guindy, Chennai - 600 032.

☎ +91 96000 04852 ✉ bobcatindia@doosan.com

🌐 www.bobcat.com

Specifications and design are subject to change without notice. Pictures of Bobcat products may show other than standard equipment.

This is a representative image of the product. The final image of the product may vary.

E20z Mini Excavator



The Bobcat® E20z compact excavator (mini excavator) delivers impressive performance in confined spaces with the need for only minimal repositioning. The operator can hydraulically retract the undercarriage to a width of only 98 cm in order to travel through gates or between walls and houses, then expand it to 136 cm for a wider footprint and greater performance. The E20z has zero tail swing for versatility and manoeuvrability on the most compact jobsites. The optional fingertip-controlled boom offset and auxiliary offer the double benefit of improved controllability of the boom swing function and connected attachments, while also creating more floor space and comfort for the operator.

[Request a Quote](#)

[Find a Dealer](#)

[Download Leaflet](#)

E20z Features

[Collapse all](#) -

▲ Performance ⁶

▲ Fingertip Boom Swing Control

Bobcat® excavator controls allow you to make fine movements with low effort and maximum comfort – so you can get precise results in less time, with less fatigue. A rocker-style thumb switch, located on the left joystick, provides superior boom swing control with better metering than foot pedals. Multifunction operation, such as swinging and traveling simultaneously, is also easier. With the boom swing control on the joystick, you get more floor space and foot room that provides a comfort advantage on long, tiring jobs.

▲ Dual Direction Detent

Provides continuous flow for attachments in either direction, allowing you to operate attachments without continually pressing a button.

▲ Auto Shift

Auto-Shift travel shifts the machine out of high range and back automatically, offering superb travel performance without having to manually downshift. It automatically transitions the travel motors to and from high range, giving you greater tractive effort with no manual shifting. Simply select the travel speed range and go. A directional lug track also provides a smoother ride and less vibration when traveling.

▲ 2-Speed Travel

Maneuver faster with optional 2-Speed travel. The faster you can move on your jobsite, the quicker you can complete your work. For long-haul jobs or work on large jobsites, 2-Speed travel increases your productivity all day long.

▲ Selectable Auxiliary Hydraulic Flow

Many Bobcat® compact excavator models are equipped with selectable auxiliary hydraulics. This gives you the choice of multiple flow rates to help you optimise the response of your hydraulic attachments such as tilting buckets, clamps, grapples, hydraulic breakers and augers. Select low flow for precise control and accurate angles, medium flow for placing and handling materials, or maximum flow for peak hydraulic attachment performance.

▲ Predictable Control

Bobcat® compact excavators deliver the house, boom, arm and bucket control you expect in the most challenging work environments. It's the confidence in these precise movements that determines whether you complete the job using your machine, or with two workers and a pair of shovels.

▲ Comfort ⁵

▲ Ergonomic Controls

Operator-friendly, ergonomic controls keep you productive all day long. Control attachments with precision, flexibility and low fatigue. Grade, level and backfill with less operator input. Head to the next jobsite using the one-hand travel control. Adjust the arm rests for added comfort.

▲ Cab Comfort

You'll be more attentive when your compact excavator is quieter, set to your preferred temperature, and easy to operate. M-Series models continue the Bobcat tradition of comfortable, operator-focused machines. Enjoy more cab space, advanced climate control and reduced noise levels.

▲ **Hydraulic Joystick Control**

The hydraulic joystick control on the Bobcat® excavator delivers smooth, fluid operation and increased efficiency.

▲ **Soft Grip Joysticks**

Bobcat excavators feature soft-grip pilot control joysticks that provide effortless control of the workgroup.

▲ **Canopy**

Bobcat® compact excavators feature a unique canopy that gives operators better visibility in confined areas. The lightweight design, which is ROPS, TOPS and FOGS certified, keeps compaction to a minimum when crossing lawns and other established surfaces.

▲ **Serviceability** ²

▲ **Panoramic Serviceability**

With Bobcat® compact excavators, it's easy to make maintenance part of your routine. Perform preventative maintenance using Bobcat's industry-leading service access and simple checkpoints. Use your shop time to complete the job instead of gaining access. You'll complete essential maintenance as scheduled and reduce your operating costs.

▲ **Centralized Grease Bank**

A centralized grease bank makes fast, simple work of lubricating the slew bearing and slew pinion. With the large opening, it's simple and easy to reach the well-protected grease cylinder fitting and complete track tensioning.

▲ **Uptime Protection** ⁸

▲ **In-Track Swing Frame**

Bobcat® compact excavators are engineered to operate in the smallest of workspaces. All models feature the exclusive In-Track Swing Frame, which allows you to get closer to your work. The swing castings and cylinders stay within the tracks when you dig in an offset position.

▲ **Top Mounted Boom Cylinder**

Vital machine components on Bobcat® E10 and E20 compact excavators are protected from damage by design. The hydraulic cylinder is mounted on top of the boom to prevent contact with the trench, bucket or nearby obstacles.

▲ **Simple Machine Tie-Down**

Get on and off the jobsite faster. Secure your load quickly, without searching for hard-to-reach tie-downs.

▲ **Protected Machine Components**

Exposed hoses, weaker components and inferior design may mean a trip to the shop when you need your machine the most. All Bobcat® compact excavators are equipped with a durable tailgate, protected hydraulic lines, smarter hose routing and a redesigned workgroup.

▲ **Engine Monitoring**

Keep your Bobcat® compact excavator on the job – and out of the shop – with smart diagnostic features. Machine Shutdown Protection Most Bobcat excavators come standard with automatic shutdown that tracks engine coolant temperature, engine oil pressure, hydraulic oil temperature and other functions. The system prevents catastrophic engine failure and shuts the machine down if necessary – lessening the chance of damage to the engine or hydraulic components. Diagnostics Bobcat provides on-board diagnostics to efficiently troubleshoot problems in the field or prevent them before they occur – reducing downtime for you. Cold Weather Engine Protection This feature protects your machine from working too hard before the engine is properly warmed up.

▲ **Fuel Fill Alert**

An audible alarm beeps faster as the fuel tank approaches its capacity, taking the guesswork out of refueling.

▲ **Integrated Slew Brake**

Integrated slew brakes hold your load steady on slopes for more accurate placement. It's easier to position the excavator, and you no longer need to manually engage the slew brake during transport.

▲ **Minimal and zero tail swing**

Do you frequently work close to objects, or against a wall? On minimal tail swing models, the rear of the house protrudes as much as 6 inches beyond the width of the tracks. For the greatest flexibility, choose a zero tail swing model; the rear of the house stays within the width of the tracks through full rotation. Slew and deposit soil where you need it, reposition the machine fewer times, and worry less about inadvertently contacting any surrounding objects.

▲ **Attachment** ³

▲ **Ergonomic Controls**

Ergonomic controls are precise, intuitive and flexible.

▲ **Selectable auxiliary hydraulic flow**

Many Bobcat® compact excavator models are equipped with selectable auxiliary hydraulics. This gives you the choice of multiple flow rates to help you optimize the response of your hydraulic attachments such as tilting buckets, clamps, grapples, hydraulic breakers and augers. Select low flow for precise control and accurate angles, medium flow for placing and handling materials, or maximum flow for peak hydraulic attachment performance.

▲ **Pro Clamp System**

As an alternative to a clamp attachment, the Pro Clamp system consists of a base component, standard pin-on work tool and optional grading tool. Grab large, small or irregular objects with greater confidence. Create a smooth trench bottom and clean up spoil piles quickly.

E20z Specifications

Show more