



Bobcat®

SKID STEER LOADERS

S450



One Tough Animal™

S450 — SPECIFICATIONS

Machine Rating:

Rated Operating Capacity (ISO 14397-1)	608 kg
Tipping Load	1215 kg
Pump Capacity	63.21/min
System relief at quick couplers	22.4-23.1 Mpa
Travelling Speed	0-11.4 km/h

Engine:

Make / Model	Kubota / V2203
Fuel	Diesel
Cooling	Liquid
Maximum Power (SAE J 1995 Gross) @ 2800 rpm	36.4 kW (49 hp)
Torque (SAE J1995 Gross) @ 1700 rpm	149.8 Nm
Number of Cylinders	4
Displacement	2196 cm
Fuel Tank	54.50 L

Weights:

Operating Weight	2365 kg
------------------	---------

Controls:

Vehicle Steering	Direction and speed controlled by two hand levers
Loader hydraulics tilt and lift	Separate foot pedals
Front Auxiliary (standard)	Electrical switch on right-hand steering lever

Drive System:

Transmission	Infinitely variable tandem hydrostatic piston pumps, driving two fully reversing hydrostatic motors
--------------	---

Standard Features:

Automatically activated glow plugs	Instrumentation
Auxiliary hydraulics:	Lift arm support
Bab-Tach frame	Operating lights, front and rear
Bobcat Interlock Control System (BICS)	Parking brake
10 x 16.5 10 ply, Severe duty tire	Seat belt
Electrically activated proportional front auxiliary hydraulics	Seat bar
Engine / hydraulics system shutdown	Spark arrestor muffler
ROPS/FOPS Cabin	ARAI Certification
Backup Alarm	

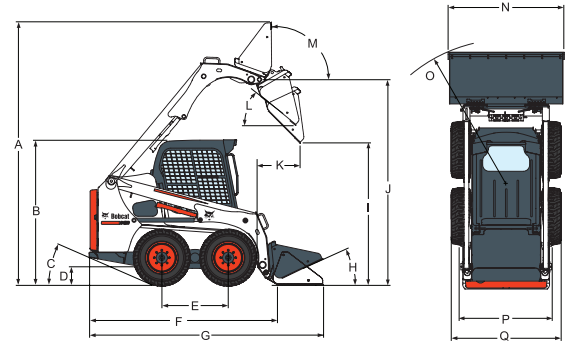
Roll Over Protective Structure (ROPS) meets requirements of SAE J1040 and ISO 3471; Falling Object Protective Structure (FOPS) meet requirements of SAE J1043 and ISO 3449, level 1

Options:

Cab enclosure
Cab enclosure with HVAC
Solid tyres
Suspension Seat

Dimensions:

(dimensions in mm)



A	3559.0 mm	J	2781.0 mm
B	1976.0 mm	K	587.0 mm
C	23°	L	40°
D	213.0 mm	M	91°
E	899.0 mm	N	1575.0 mm
F	2502.0 mm	O	1941 mm
G	3173.0 mm	P	1222 mm
H	28°	Q	1488.0 mm
I	2157.0 mm		

Attachments:

Angle Brooms	Planers
Augers	Root Grapples
Backhoes	Scarifiers
Bale Forks	Scrapers
Breakers	Seeders
Brush Saws	Skeleton Buckets
Concrete Mixers	Snow & Light Material Buckets
Construction / Industrial Buckets	Snow Blades
Diggers	Snowblowers
Dozer Blades	Snow Pushers
Dumping Hoppers	Snow V-Blades
Fertilizer Buckets	Sod Layers
General Purpose Buckets	Soil Conditioners
Grapples, Industrial	Water Kits
Landplanes	Spreaders
Landscape Rakes	Stabilizers
Low Profile Buckets	Sweepers
Whisker Brooms	Tillers
Mowers	Tilt-Tatch
Packer Wheels	Tracks
Pallet Fork Accessories	Trenchers
Pallet Forks, Hydraulic	Utility Forks
Pallet Forks, Standard	Utility Frames
	Vibratory Rollers

Scan to visit our website



Toll Free No. 1800 1032 869



Bobcat®

Doosan Bobcat India

HTC Towers, 6TH Floor, No. 41, GST Road, Guindy, Chennai - 600 032.

☎ +91 96000 04852 ✉ bobcatindia@doosan.com

🌐 www.bobcat.com

S450 Skid-Steer Loader



The Bobcat® S450 skid-steer loader's width makes it a great performer for its size – and the tight turning radius lets you handle big jobs in small areas. The S450 features a radius lift path for greater maximum reach at mid-range heights, like dumping over a wall, backfilling or unloading flatbed trucks.

[Request a Dealer](#)

[Find a Dealer](#)

[Download Leaflet](#)

S450 Features

[Collapse all](#) -

Performance ⁶

Overall Loader Performance Advantages

Bobcat® loaders will meet your high expectations for performance, every time you use them. The design, balance and weight distribution have been perfected to deliver more usable horsepower, powerful breakout forces and faster cycle times. With a Bobcat loader you can work quicker, lift more and outperform your competition.

Effective Weight Balance

Bobcats are better balanced! When not carrying a load, your Bobcat® skid-steer loader has a weight distribution of 70% in the rear and 30% in the front. This is the optimum weight distribution, giving you balanced, easy turning and skidding for ideal performance. What's more, it minimises fuel consumption and power requirements, while maximising drive train and tyre life, leading to less wear and tear compared to "flat-footed" machines sold by some other manufacturers.

Superior Lift Arms

Bobcat Skid-Steer Loaders offer you the choice of two lift-path options, so we're sure to meet your needs. Vertical lift-path machines provide more reach at full lift height, while radius lift-path models offer maximum reach at truck-bed height. Both options feature our durable and patented single-plane design which reduces side-to-side lift arm movement and minimises load on the pins.

Smart Cooling

When the dust flies, the machine temperature rises and you're pushing to finish a project, you need a cooling system that won't let you down! The patented Bobcat® cooling system features a dual-path design that cools more efficiently, with a quiet fan that only turns as fast as needed. For added reliability, the radiator and hydraulic oil cooler are safely protected from jobsite hazards.

Instrumentation

The optional M-Series Deluxe Instrumentation Panel brings the latest advances in communication, monitoring, productivity and control to your Bobcat® skid-steer loader or compact track loader. It monitors key loader functions, communicates alerts and provides additional attachment information to track usage. Using the ultra-sharp LCD screen and simple interface, you will be able to access data and helpful notifications to keep your loader operating at peak capacity with maximum uptime.

All-Wheel Steer Loader

You can choose from two steering modes to suit your work! Change your Bobcat loader from all-wheel steer to skid-steer mode with the flip of a dash panel switch. Bobcat® all-wheel steer loaders combine the smooth efficiency of all-wheel steer with the agility of skid-steer. So you can minimise turf damage and reduce tyre wear.

Comfort ²

Improved Visibility

For safety and increased efficiency, Bobcat® skid-steer loader (SSL) and compact track loader (CTL) cabs are designed for the best possible all-around visibility. As you grade next to a building or load the machine on a trailer, you'll gain better sight lines for easier and faster operation. You can easily see the bucket corners and cutting edge from your seat. Your tracks or tyres are also visible without raising the loader arms.

Pressurised Cab

In your line of work, you have to dive right in – where the dirt, dust, mud and debris are at their worst. That's why you need a Bobcat loader - our enclosed cabs have a best-in-class pressurised interior space that keeps down dust to a minimum, keeping you clean and comfortable. The one-piece seal and unique, curved door pocket ensure that you enjoy the best-possible protection. Keep warm air in the cab during cold weather, and ensure that cool air keeps you comfortable on hot days.

^ Uptime Protection ⁵

^ Choice of tires

Bobcat offers extended choice of factory installed tires, ensuring they can be more closely matched to your job right from the start.

^ Machine Protection

With Bobcat® skid-steer loaders (SSL) and compact track loaders (CTL), you're ready for almost anything that you could possibly encounter on the jobsite. The radiator and hydraulic oil cooler are protected from danger, while hoses are routed through the loader arms and frame uprights for extra protection. Quick couplers are mounted directly into the front plate of the lift arm. The solid-steel tailgate has no cooling holes or other openings for intrusions that could damage the machine.

^ Uptime Protection

The Bobcat reputation for reliable equipment and maximum uptime protects your own reputation for timely, productive work. These better-built loaders rely on a range of features that help minimise maintenance and protect your machine: machine shutdown protection, self-diagnostics, battery run-down protection, cold weather protection and other features. What's more, Bobcat skid-steer loaders feature the industry's only maintenance-free chaincase, which further reduces maintenance and gives you added peace of mind.

^ Maintenance-free chaincase

Another unique Bobcat advantage ... the only maintenance-free chaincase on the market! With exclusive fixed axle tubes, stronger axles, and fully sealed bearings to maximise uptime and your peace of mind. The protected axle seals never need adjustments or greasing. Endless roller, high-strength oval chains (HSOC) are manufactured to very strict tolerances, with thick side-link plates and hardened pins. The chains are 38% stronger than other manufacturers' chains.

^ Keel-Shaped Undercarriage

Most other skid-steer loaders have flat bottoms. This means that when conditions turn wet and muddy, they can easily sink, spin and struggle. Bobcat® Skid-Steer Loaders are designed differently and they perform better in challenging conditions. The undercarriage is keel-shaped, with the lowest point at the centre of the machine, so the loader passes over most obstructions just like a boat slices through water. You'll be able to work more effectively, even in difficult conditions.

^ Serviceability ⁴

^ Panoramic Serviceability

No other loaders are as easy to access for maintenance and servicing as Bobcat® skid-steer loaders (SSL) and compact track loaders (CTL). You receive easy, full access to the engine checks and fills, filters and battery. Unlike other brands, you do not need to raise the lift arms to service the machine. So you can spend your time completing maintenance work, rather than struggling to gain access.

^ Grease Point Access

Bobcat makes maintenance simpler and faster with easy-to-access grease point locations on critical pivot points. So you don't have to lie on the ground or stand on the wheels or tracks to grease the pins.

^ Transverse Engine and Belt Drive

Bobcat® loaders can be serviced from one side thanks to the exclusive belt-drive system. This durable technology with a multi-groove Kevlar™ belt allows your loader engine to run slower, which reduces noise and gives your machine longer durability. This optimised engine-to-pump package is also more efficient.

^ Hydraulic Oil Site Gauge

You can check your hydraulic oil level quickly and easily as you walk by your machine. Always keep an eye on hydraulic oil levels and simplify your daily checks.

^ Attachment Versatility ³

^ Do More

Bobcat attachments help you do so much more. The versatility of our attachments and the support from the Bobcat dealer network is an unbeatable combination. Quick couplers give you clean, rapid attachment changes every time, and the attachment control kit simplifies operation. On selected attachments, high-flow hydraulics provide a big power boost.

^ Bob-Tach

With the standard Bob-Tach® mounting system you can change an attachment on your loader in less than a minute. So you can easily use different attachments - bucket, auger, landscape rake, grapple and many others - throughout your day. Developed more than 35 years ago, the Bob-Tach system is time-tested.

^ Instrumentation

The optional M-Series Deluxe Instrumentation Panel brings the latest advances in communication, monitoring, productivity and control to your Bobcat® skid-steer loader or compact track loader. It monitors key loader functions, communicates alerts and provides additional attachment information to track usage. Using the ultra-sharp LCD screen and simple interface, you will be able to access data and helpful notifications to keep your loader operating at peak capacity with maximum uptime.

S450 Specifications

Show less

Similar Machines